



MU-1 SLD M

SPECIFICATIONS

Nominal Voltage (V) 12V

Nominal Capacity

20 hour rate (1.75A to 10.50V)	35Ah
10 hour rate (3.325A to 10.50V)	33.25Ah
5 hour rate (5.95A to 10.20V)	29.75Ah
1C (35A to 9.60V)	22.17Ah
3C (105A to 9.60V)	14Ah

Weight Approx. 23.1Lbs. (10.5kg)

Internal Resistance (at 1KHz) 10 mΩ

Maximum Discharge Current for 5 seconds : 525A

Operating Temperature Range

Charge	-15°C (5°F) to 40°C (104°F)
Discharge	-15°C (5°F) to 50°C (122°F)
Storage	-15°C (5°F) to 40°C (104°F)

Charge Retention (shelf life) at 20°C (68°F)

1 month	92%
3 months	90%
6 months	80%

Charging Methods at 25°C (77°F)

Cycle Use : Charging Voltage 14.4 to 15.0V
Maximum Charging Current : 10.5A

Standby Use : Float Charging Voltage 13.50 to 13.80V

Life expectancy :

Cycle Use :	100% depth of discharge	200 cycles
	80% depth of discharge	225 cycles
	50% depth of discharge	500 cycles

Standby Use : 3-5 years

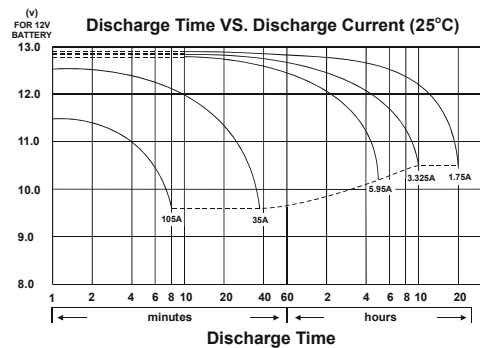
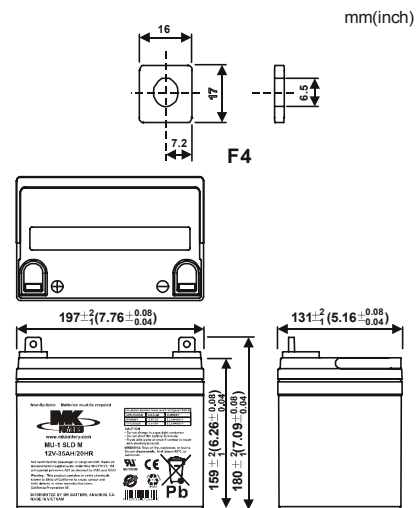
Case Material : ABS
(Option : 94-HB & 94V-0 Flame Retardant Case Material)

Terminal : F4

Sealed Valve-Regulated Lead-Acid Battery



DIMENSIONS



MK Battery

1631 South Sinclair Street • Anaheim, California 92806

Toll Free: 800-372-9253 • Fax: 714-937-0818 • E-mail: sales@mkbattery.com

