

Model: HC75



HIGH RATE DISCHARGE AT 77°F (25°C)

5 sec.	10 sec.	20 sec.	30 sec.
1750A	1540A	1400A	1355A

EXTENDED DISCHARGE AT 77°F (25°C) TO 10.02V

5min	15min	1hr	3hr	5hr	10hr	20hr
338A	164A	53.5A	19.9A	12.4A	6.5A	3.9A

BATTERY DESIGN

- Absorbent glass mat (AGM) technology
- 12V VRLA Starting battery
- Sealed Construction (Non-Spillable Battery)
- Can be mounted in any orientation except inverted.
- US DOT and IATA certified non-spillable
- Shipped fully charged - just install and go!
- Suited for repeated discharges such as running your vehicle with winches or other electrical accessories.

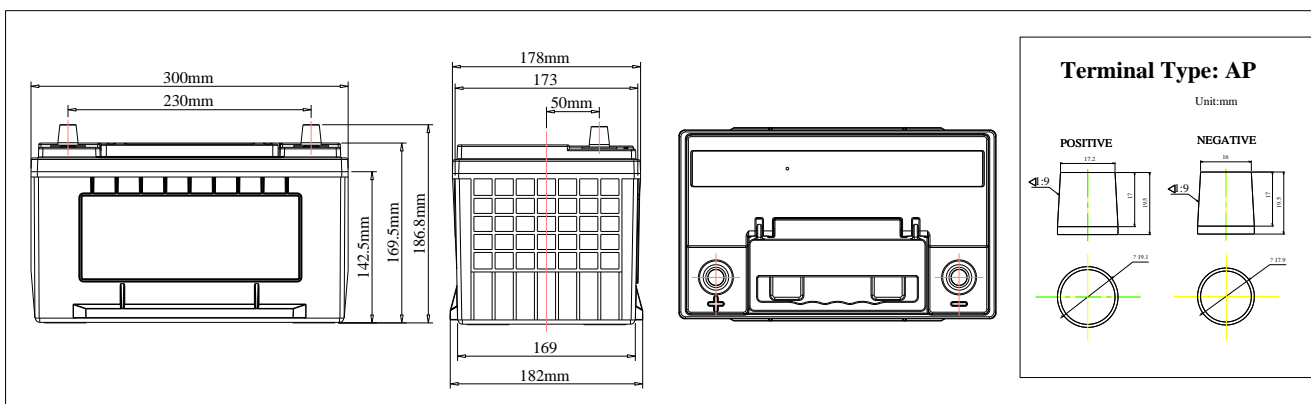
PERFORMANCE FEATURES

- PHCA: 1750A at 80°F (27°C) for 5 seconds
- CCA: 930A at 0°F (-18°C)
- CA/MCA: 1070A at 32°F (0°C)
- HCA: 1350A at 80°F (27°C)
- 75AH @20HR at 80°F (27°C):
- Reserve capacity: 142 minutes
- Short circuit current: 3500A
- Operation temperature range: -5°F (-15°C) to 122°F (50°C)

NOMINAL DIMENSIONS

Length		Width		Height		Total Height		Weight	
mm	in	mm	in	mm	in	mm	in	kg	pound
300	11.81	182	7.17	169.5	6.67	186.5	7.34	25.0	55.00

PHYSICAL CHARACTERISTICS



BATTERY CHARGING

Cycle use: 14.4-15.0V/25°C, Temperature Compensation factor: -4mV/cell/°C;

Float use: 13.5-13.8V/25°C, Temperature Compensation factor: -3mV/cell/°C.